

# GN 900.2

## Connecting sets X-Y

- **Material**

Anodized aluminium, natural colour.

- **Socket head cap screw**

Stainless steel, according to ISO 4762.

### Features and applications

With connecting sets GN 900.2 two adjustable slide units GN 900 (see page 66) can be combined to produce an X-Y axis configuration.

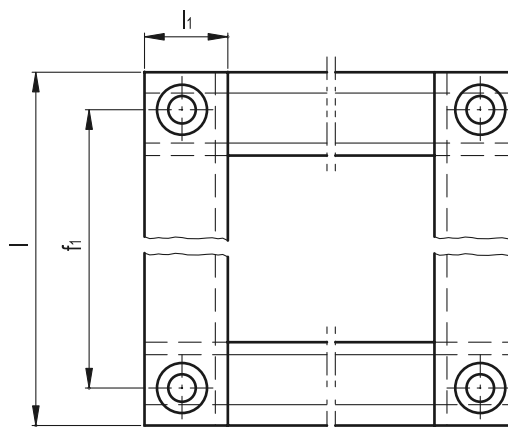
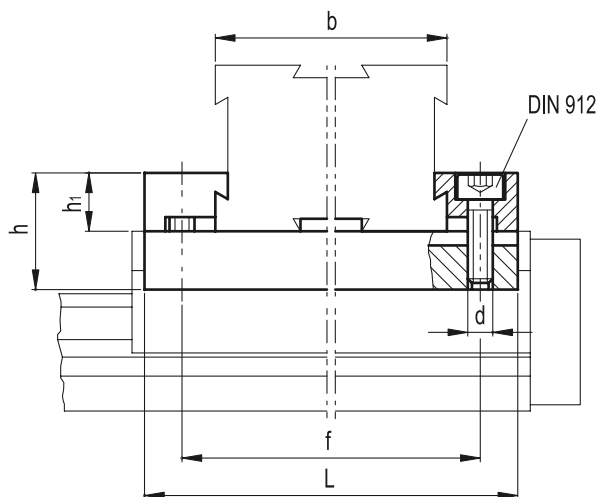
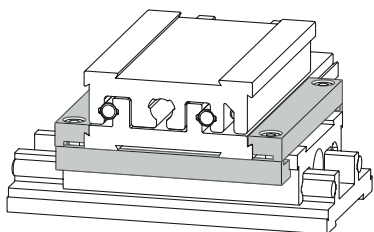
This combination is achieved with a clamping system which eliminates the use of any kind of fixing holes in the slide.

The stationary base of the second adjustable slide unit is clamped on to the slide of the first unit to give the X-Y configuration. The slides on both units together give the X-Y movement.

The small fixing plate serves for the 90° alignment and fine adjustment of the XY-axis configuration.



Assembly example



Standard Elements	Main dimensions								
Description	b	l	h <sub>1</sub>	L	d	h	h <sub>1</sub>	f	f <sub>1</sub>
GN 900.2-30-41	30	41	6.5	41	M2.5	8.4	4.2	35.4	35.4
GN 900.2-50-67	50	67	10	67	M3	14	7	58	58
GN 900.2-80-105	80	105	14.5	105	M4	25	12.5	92	92
GN 900.2-120-145	120	145	14.5	145	M5	27.6	13.8	131.8	131.8